

# MB16210TG Magnum Board Horizontal Shiplap Details

Sheet List	
Sheet Number	Sheet Name
000	Cover Sheet
1/14	Concrete Foundation Detail
2/14	Timber Foundation Detail
3/14	External Corner Detail
4/14	Internal Corner Detail
5/14	Eave - Section Detail
6/14	Barge - Section Detail
7/14	Roof - Wall Ridge - Section Detail
8/14	Canopy Junction - Section Detail
9/14	Horizontal Control Joint
10/14	Vertical Control Joint
11/14	Typical Head and Sill Detail
12/14	Typical Jamb Detail
13/14	Deck Threshold Detail
14/14	Pipe Penetration - Plan & Section Detail

150mm  
100  
50  
0 10mm

26/01/2024 12:48:53 pm



000

Magnum Board Horizontal Shiplap Details

Cover Sheet



150mm  
100  
50  
0 10mm

Cladding face fixed with Simpson Strong-Tie pre-bore screw SSDTH3S 7G x 75mm trim head exterior timber stainless screw @ 600crs

Magnum Board® 16mm Shiplap Cladding

Thermakraft™ Covertex 403 Plus breathable wall underlay

50mm min cladding overhang

Refer to E2/AS1 for threshold detail

40

50 mm min.

150mm to finish paving

6

9mm Magnum Board® silica free non-combustible wall & ceiling lining, Foreverbreathe paint finish

H1.2 LVL studs @ 600crs

Sheep's Wool Insulation

Wall lining fixed with Fortress 6gx32 C3 galv screws

Selected HBB timber skirting.

Concrete floor slab, refer to drawings

DPC between all timber and concrete

6mm min gap between back of cladding and concrete perimeter

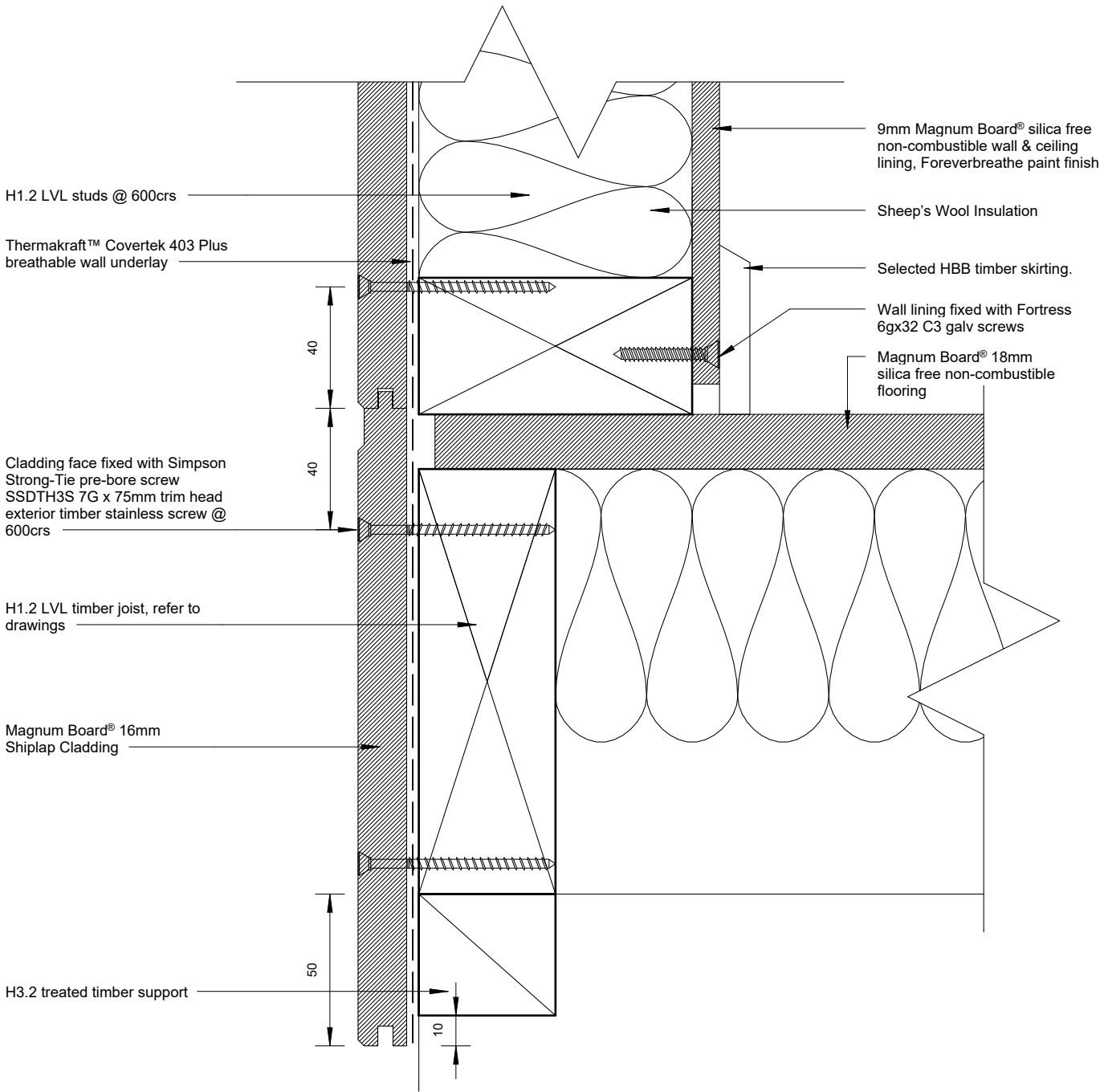
### Concrete Foundation Detail

1 : 2

26/01/2024 12:48:53 pm



150mm  
100  
50  
0 10mm



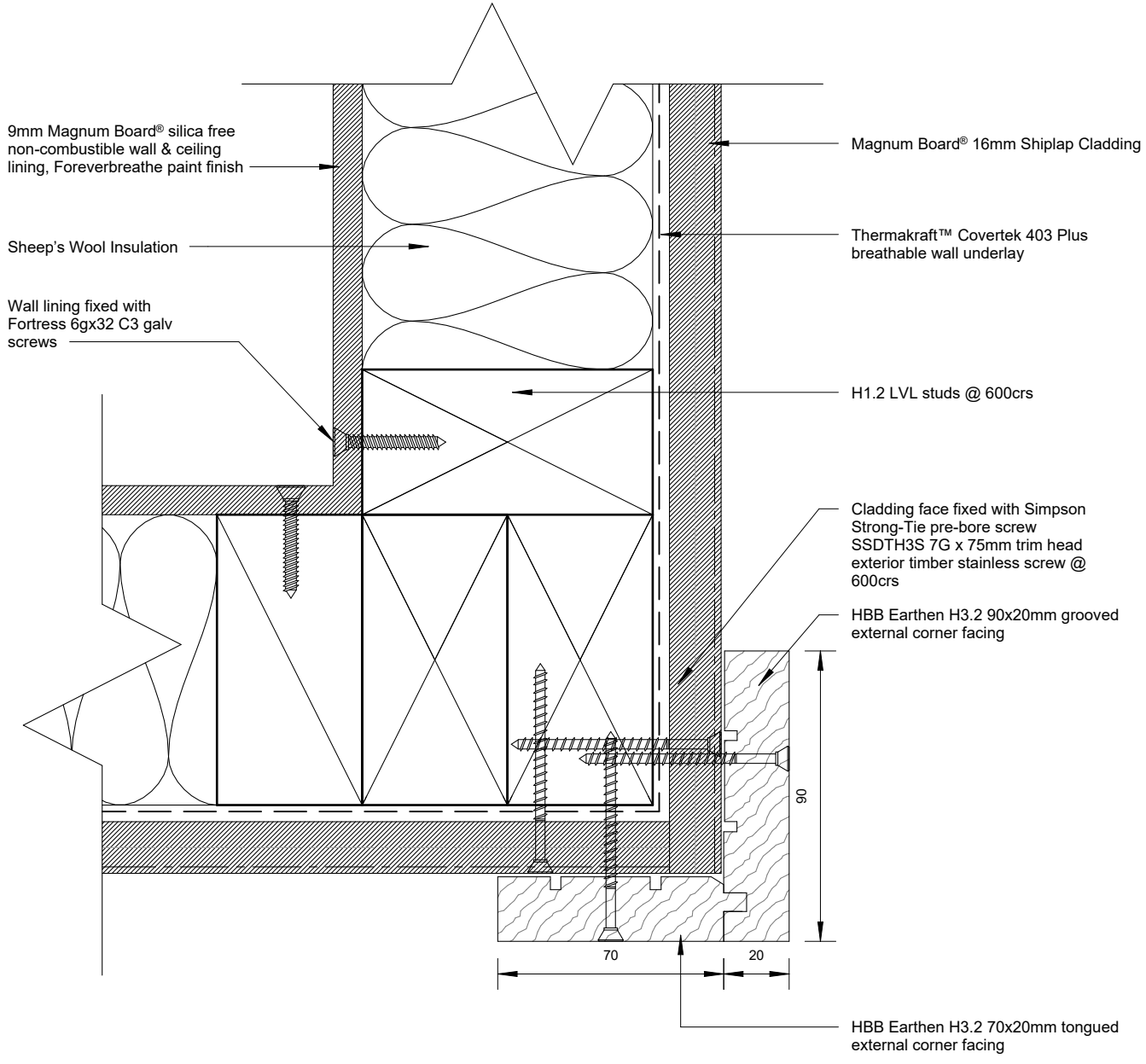
### Timber Foundation Detail

1 : 2

26/01/2024 12:48:53 pm



150mm  
100  
50  
0 10mm



### External Corner Detail

1 : 2

26/01/2024 12:48:53 pm



9mm Magnum Board® silica free non-combustible wall & ceiling lining, Foreverbreathe paint finish

H1.2 LVL studs @ 600crs

50

50

Wall lining fixed with Fortress 6gx32 C3 galv screws

Mapei Mapeflex PU45 joint sealant

50x50mm uPVC internal corner flashing

18x18mm min. corner batten with chamfered rear edge

Cladding face fixed with Simpson Strong-Tie pre-bore screw SSDTH3S 7G x 75mm trim head exterior timber stainless screw @ 600crs

Magnum Board® 16mm Shiplap Cladding

Thermakraft™ Covertex 403 Plus breathable wall underlay

Sheep's Wool Insulation

### Internal Corner Detail

1:2

150mm

100

50

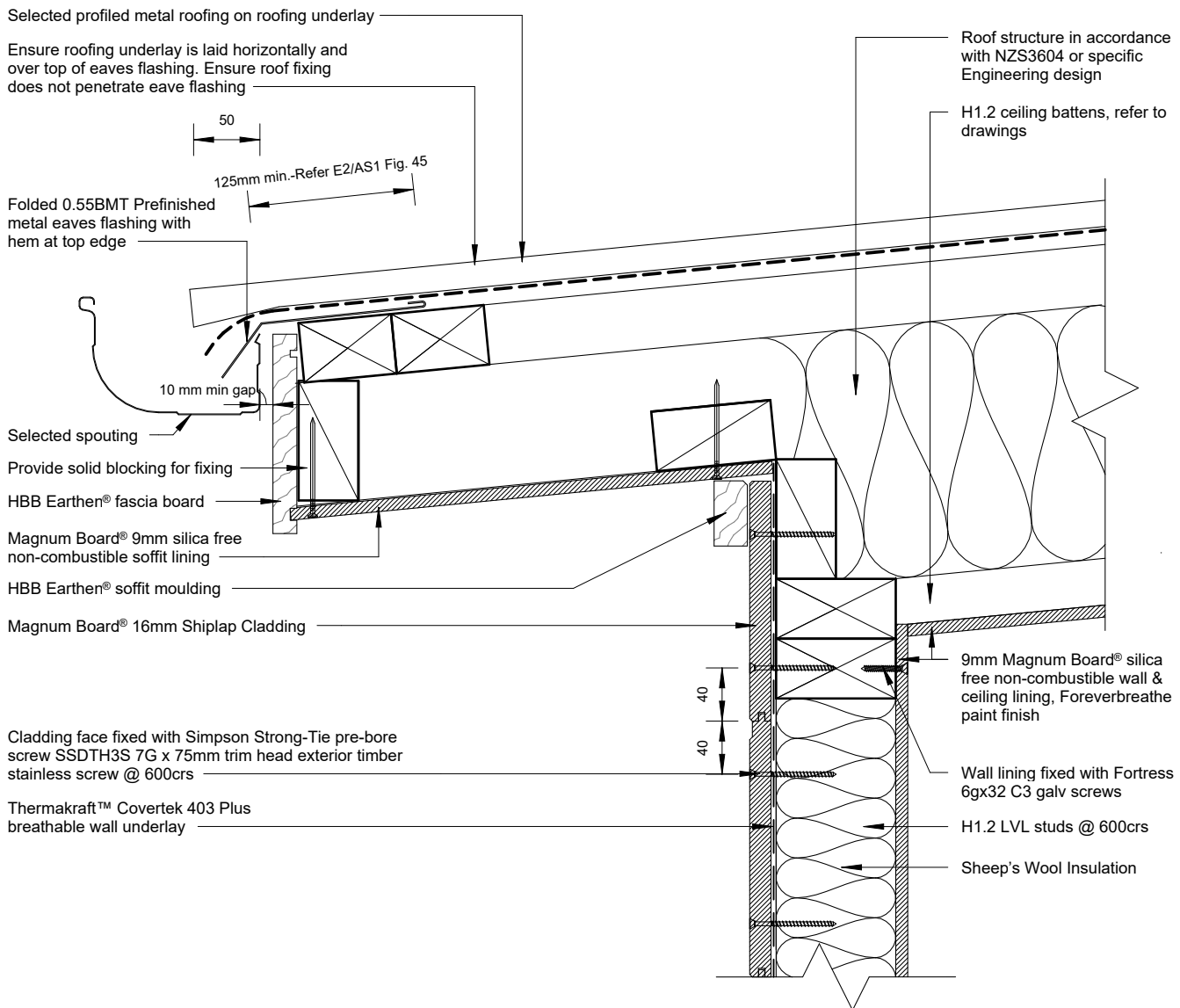
10mm

0

26/01/2024 12:48:53 pm



150mm  
100  
50  
0 10mm



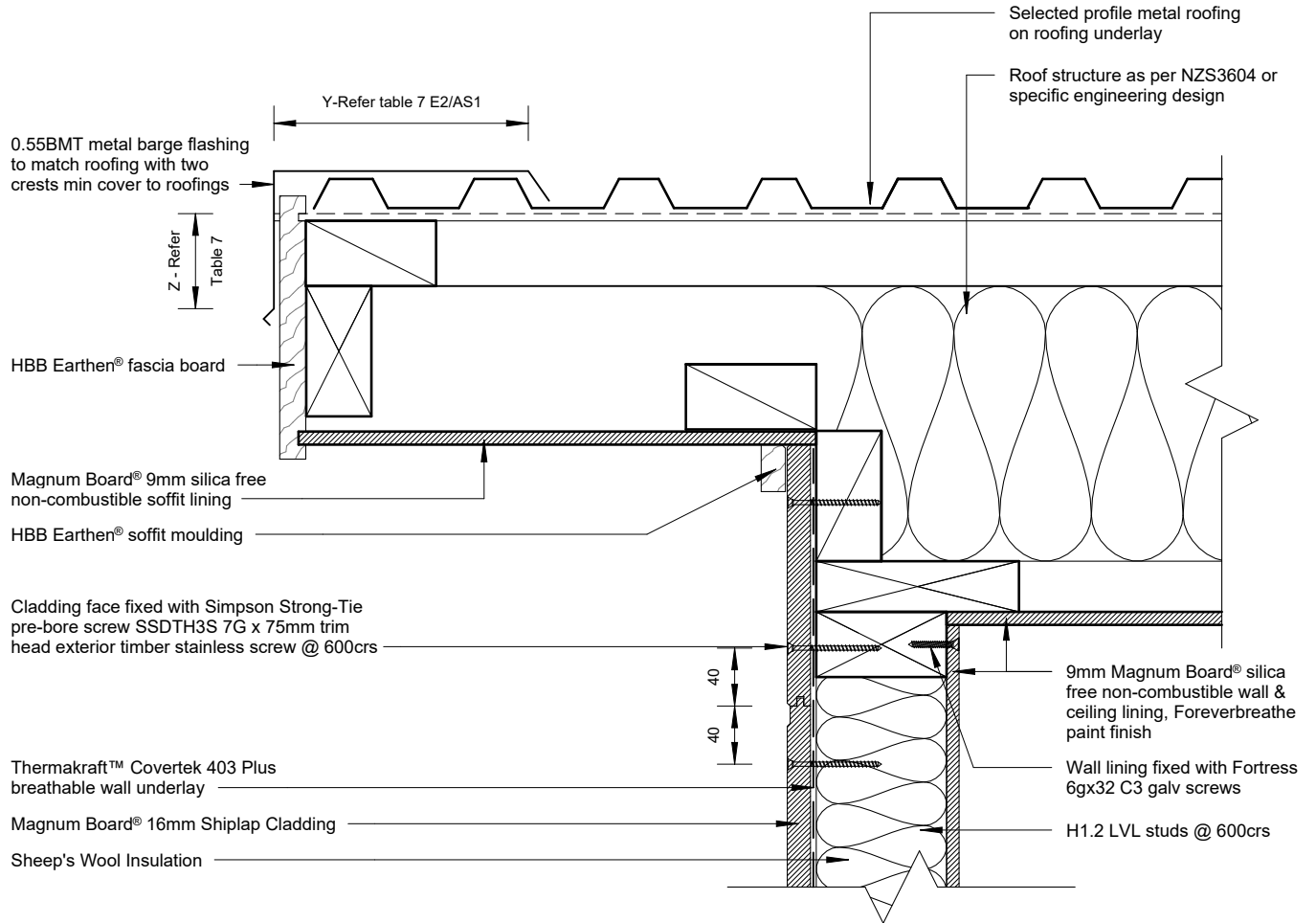
### Eave - Section Detail

1 : 5

26/01/2024 12:48:53 pm



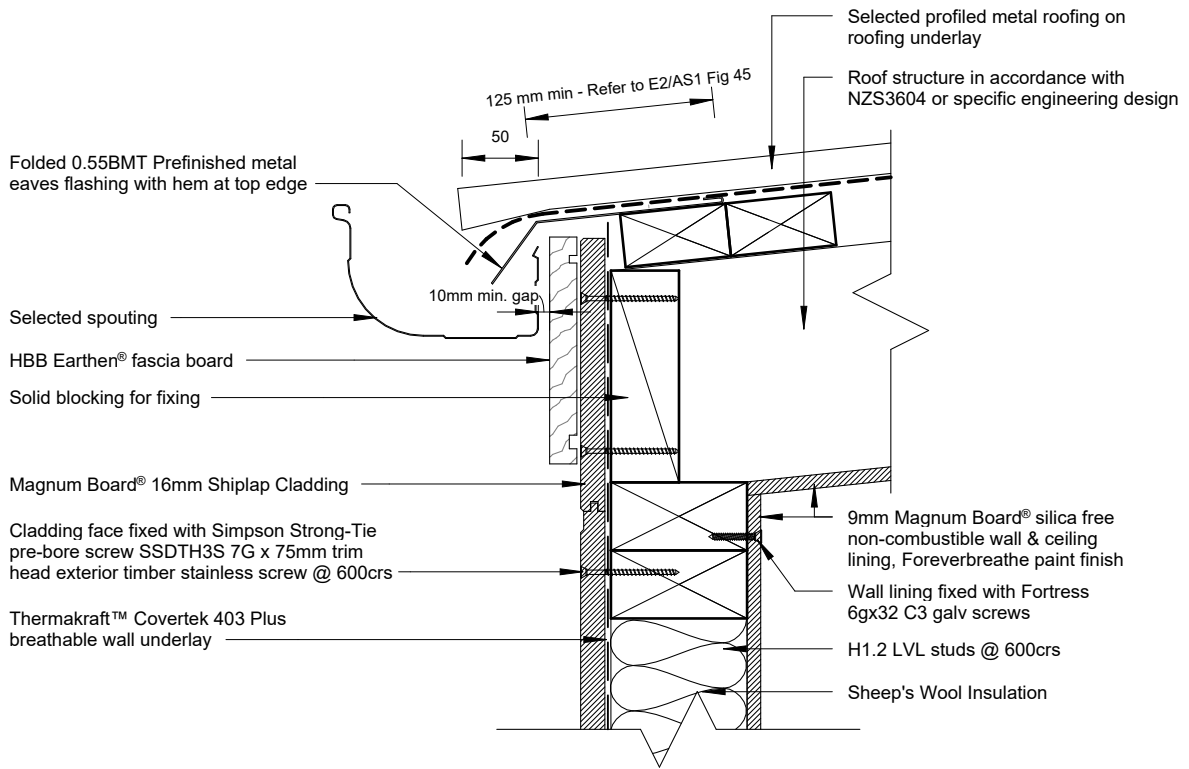
150mm  
100  
50  
0 10mm



**Barge - Sectional Detail**  
1 : 5

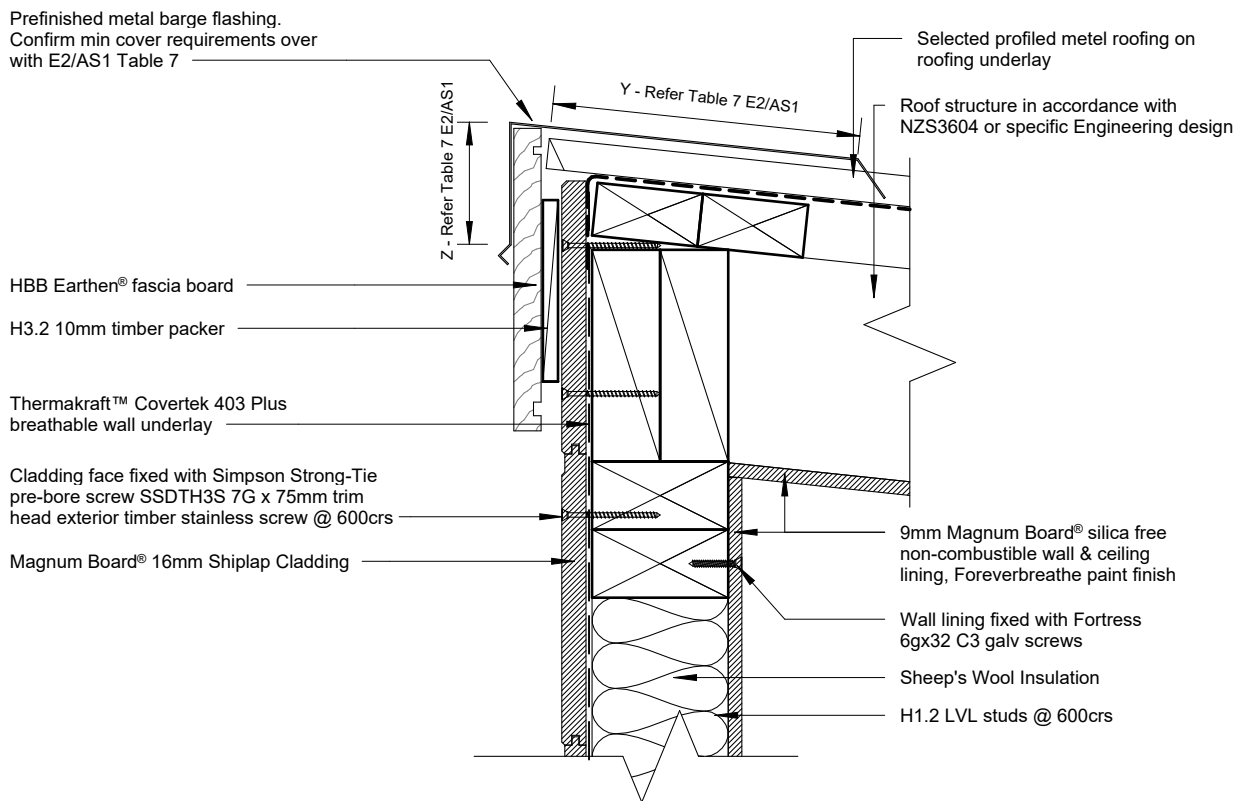
26/01/2024 12:48:53 pm





### Barge - No Soffit Detail

1 : 5



### Roof - Wall ridge - Section Detail

1 : 5

26/01/2024 12:48:54 pm



7/14

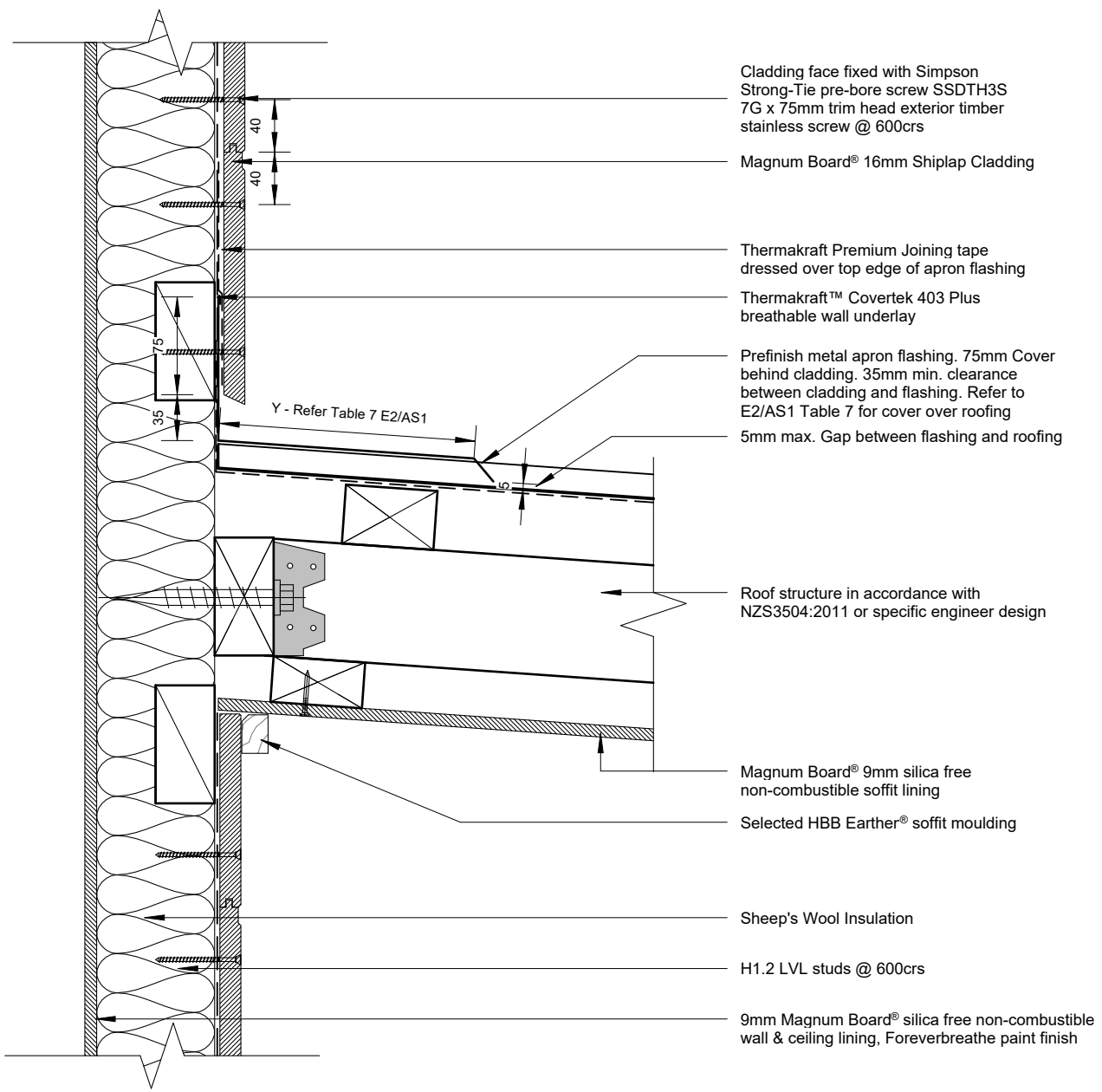
Magnum Board Horizontal Shiplap Details

Roof - Wall Ridge - Section Detail





150mm  
100  
50  
0 10mm



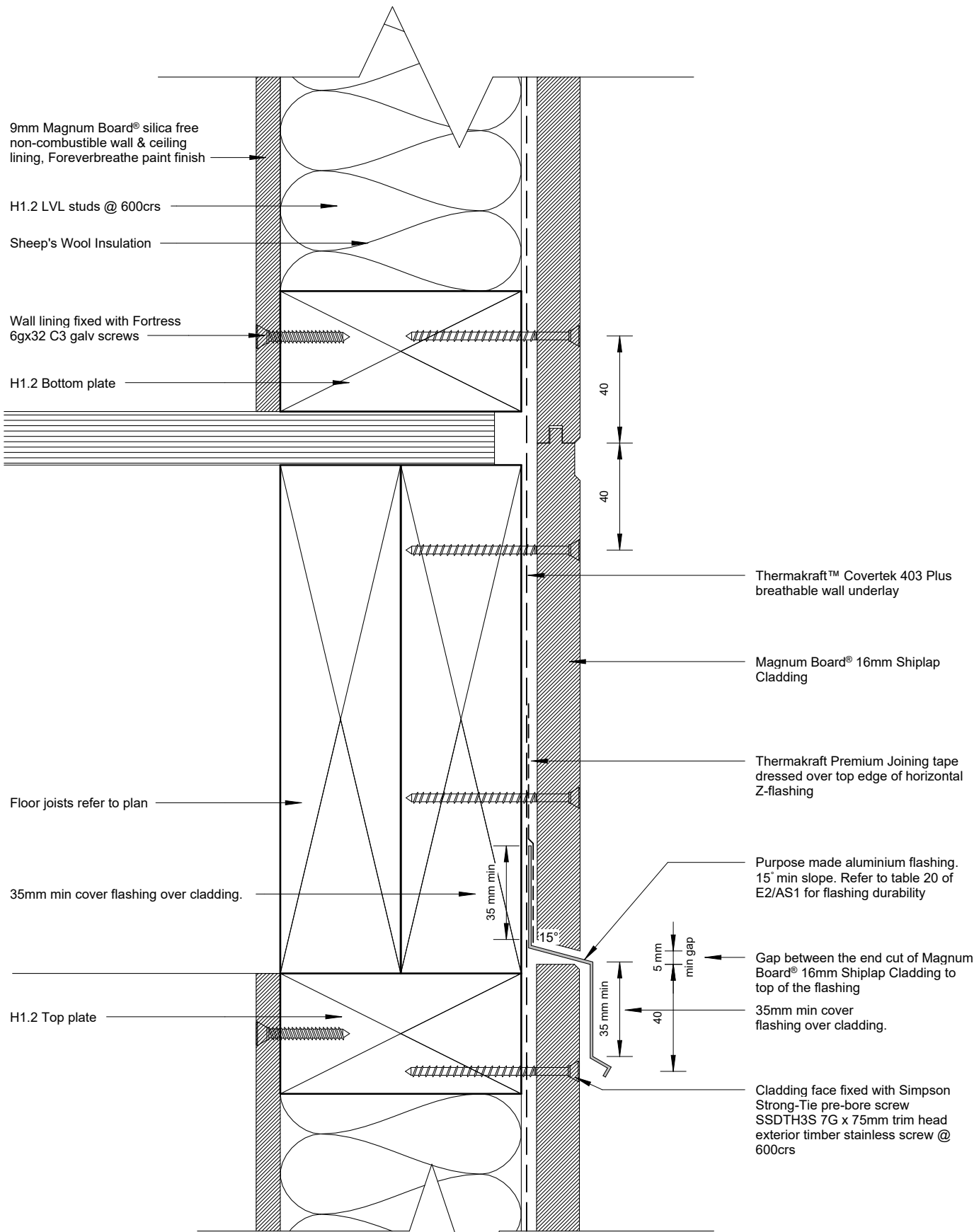
- Cladding face fixed with Simpson Strong-Tie pre-bore screw SSDTH3S 7G x 75mm trim head exterior timber stainless screw @ 600crs
- Magnum Board® 16mm Shiplap Cladding
- Thermakraft Premium Joining tape dressed over top edge of apron flashing
- Thermakraft™ Covertex 403 Plus breathable wall underlay
- Prefinish metal apron flashing. 75mm Cover behind cladding. 35mm min. clearance between cladding and flashing. Refer to E2/AS1 Table 7 for cover over roofing
- 5mm max. Gap between flashing and roofing
- Roof structure in accordance with NZS3504:2011 or specific engineer design
- Magnum Board® 9mm silica free non-combustible soffit lining
- Selected HBB Earther® soffit moulding
- Sheep's Wool Insulation
- H1.2 LVL studs @ 600crs
- 9mm Magnum Board® silica free non-combustible wall & ceiling lining, Foreverbreathe paint finish

**Canopy Junction - Section Detail**  
1 : 5

26/01/2024 12:48:54 pm



150mm  
100  
50  
10mm  
0



### Horizontal Control Joint

1 : 2

26/01/2024 12:48:54 pm

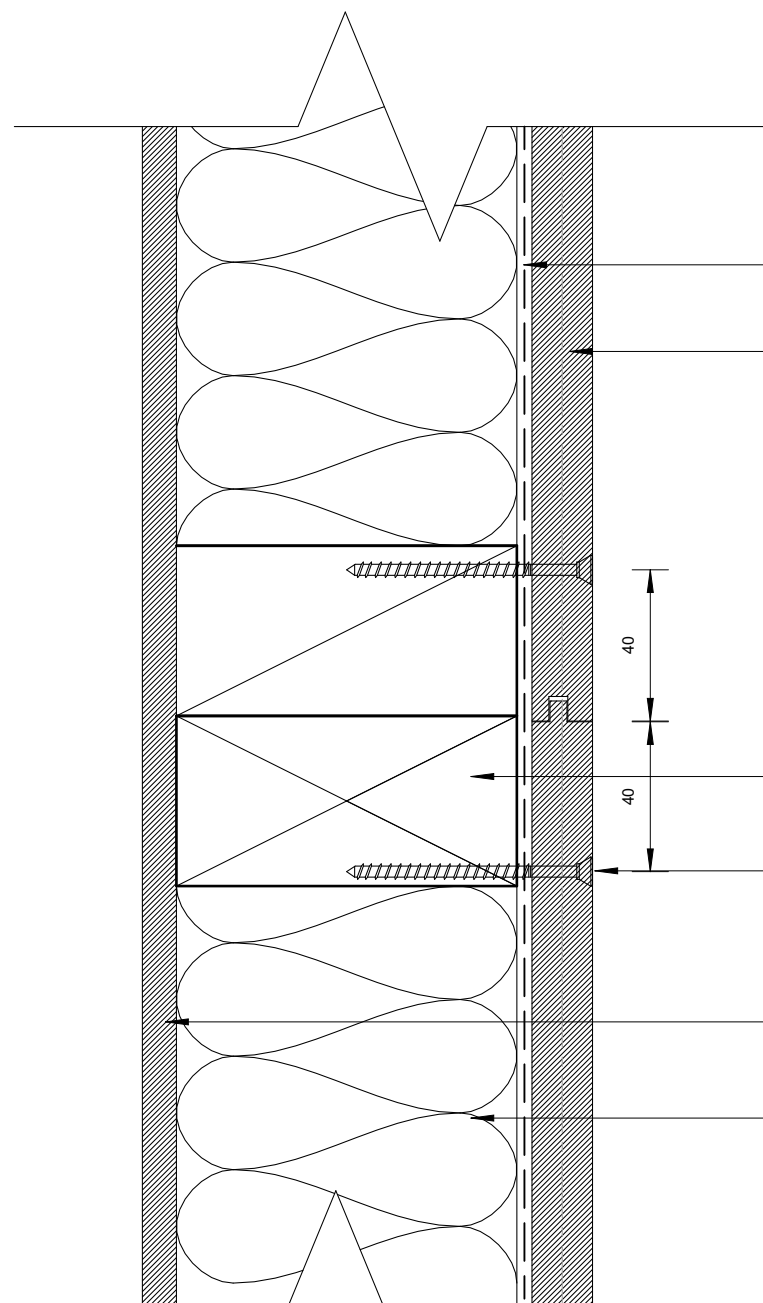


9/14

Magnum Board Horizontal Shiplap Details  
Horizontal Control Joint



150mm  
100  
50  
0 10mm



Thermakraft™ Covertek 403 Plus  
breathable wall underlay

Magnum Board® 16mm Shiplap Cladding

H1.2 LVL studs @ 600crs

Cladding face fixed with Simpson  
Strong-Tie pre-bore screw SSDTH3S  
7G x 75mm trim head exterior timber  
stainless screw @ 600crs

9mm Magnum Board® silica free  
non-combustible wall & ceiling  
lining, Foreverbreathe paint finish

Sheep's Wool Insulation

### Vertical Control Joint

1:2

26/01/2024 12:48:54 pm



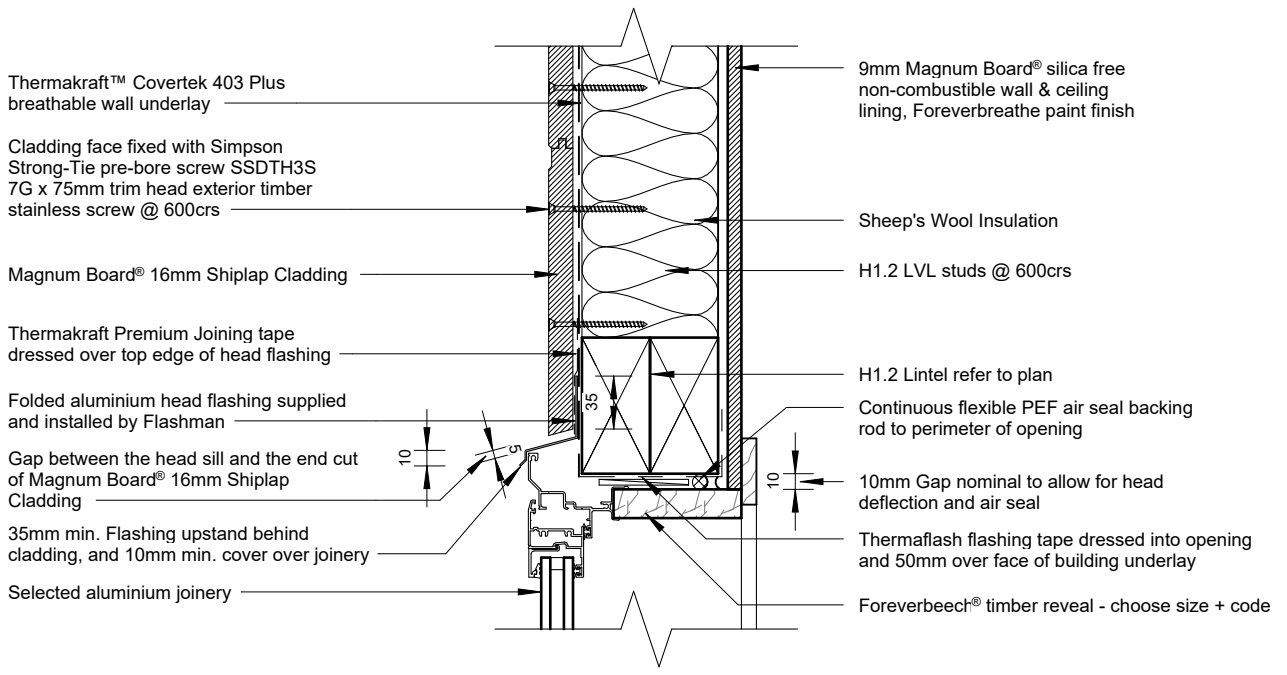
10/14

Magnum Board Horizontal Shiplap Details

Vertical Control Joint

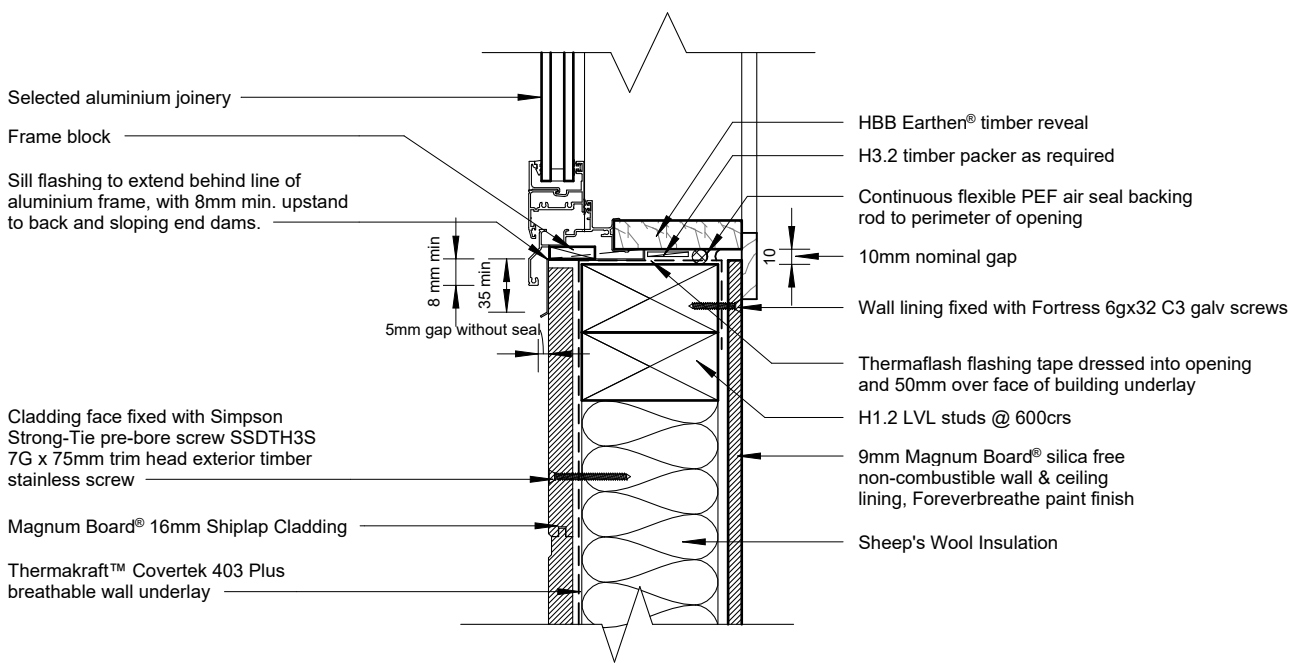


150mm



**Typical Head Detail**  
1 : 5

100



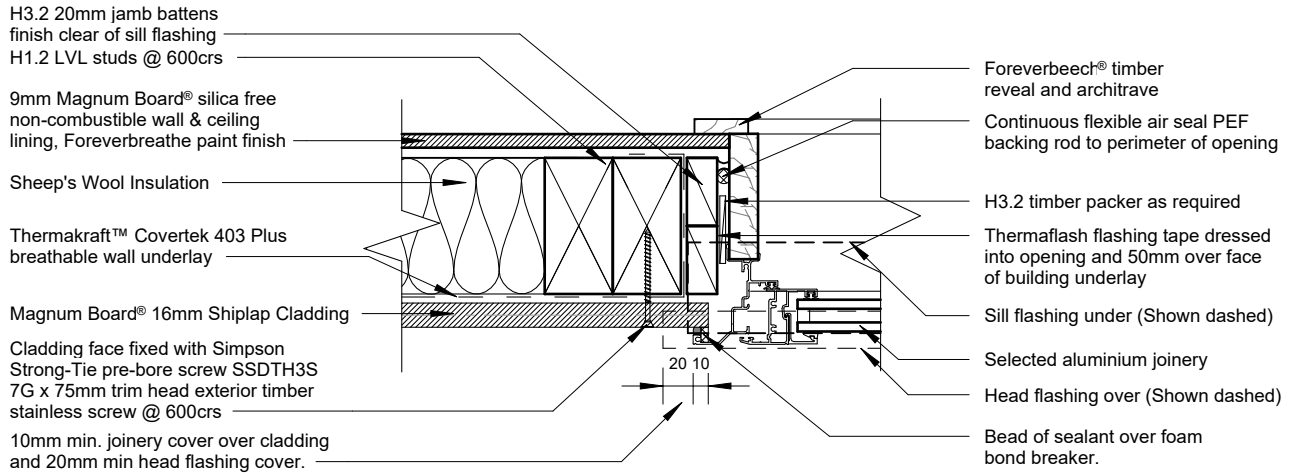
**Typical Sill Detail**  
1 : 5

0 10mm

26/01/2024 12:48:54 pm



150mm  
100  
50  
0 10mm



**Typical Jamb Detail**

DO NOT FIX THROUGH JAMB FLASHING

1 : 5

26/01/2024 12:48:54 pm



150mm  
100  
50  
0 10mm

Thermaflash flashing tape dressed into opening and 50mm over face of building underlay

Continuous PEF backing rod to perimeter of opening

Magnum Board® 18mm silica free non-combustible flooring

H1.2 LVL timber joist, refer to drawings

Sheep's Wool Insulation

12mm gap between stringer and cladding/joinery

Decking as per drawings, joist sizes and fixings in accordance with NZS3604:2011

Deck stringer and fixings in accordance with NZS3604:2011 or specific engineering design

Thermakraft™ Covertek 403 Plus breathable wall underlay

H3.2 treated timber support

Cladding face fixed with Simpson Strong-Tie pre-bore screw SSDTH3S 7G x 75mm trim head exterior timber stainless screw @ 600crs

Magnum Board® 16mm Shiplap Cladding

### Deck Threshold Detail

1:2

26/01/2024 12:48:54 pm

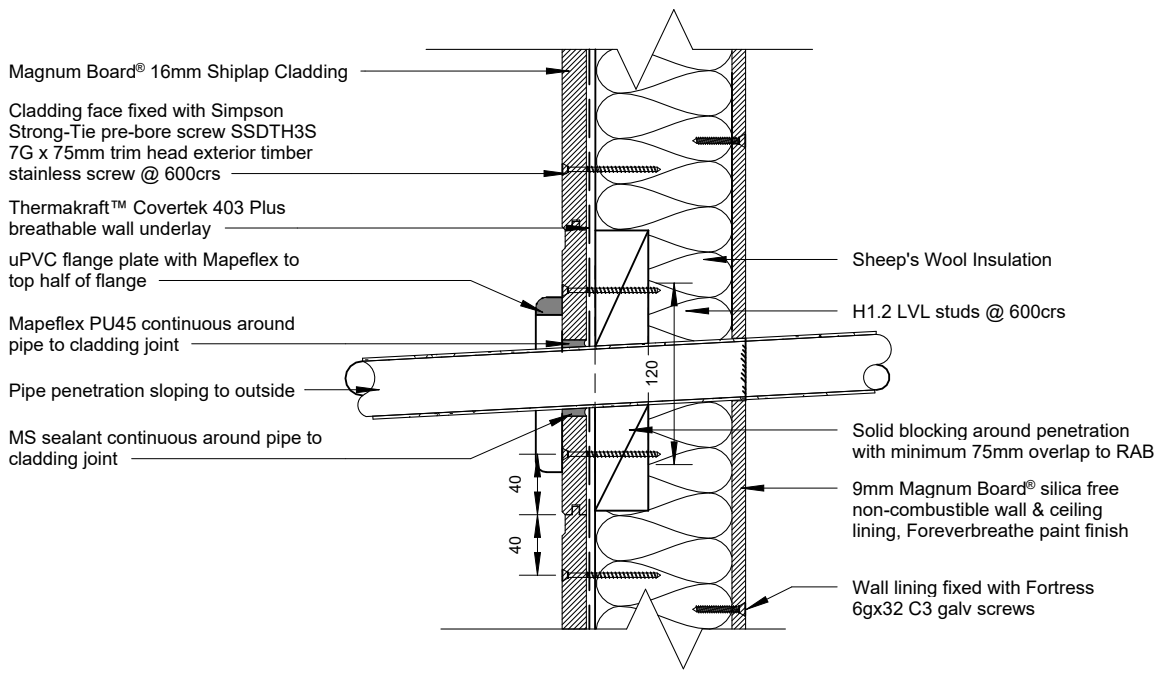


13/14

Magnum Board Horizontal Shiplap Details

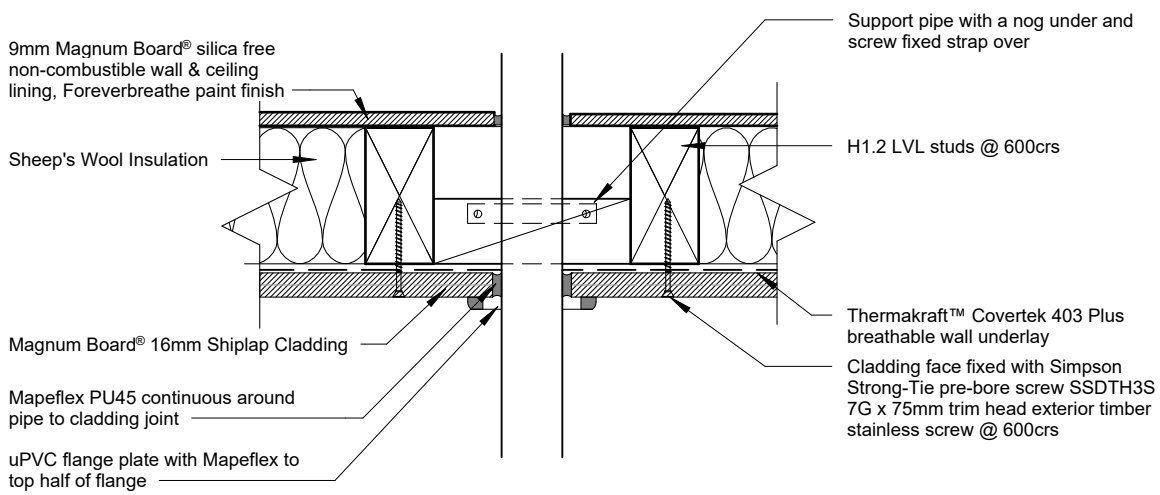
Deck Threshold Detail





### Pipe Penetration Section Detail

1 : 5



### Pipe Penetration Plan Detail

1 : 5

150mm  
100  
50  
0 10mm

26/01/2024 12:48:55 pm

